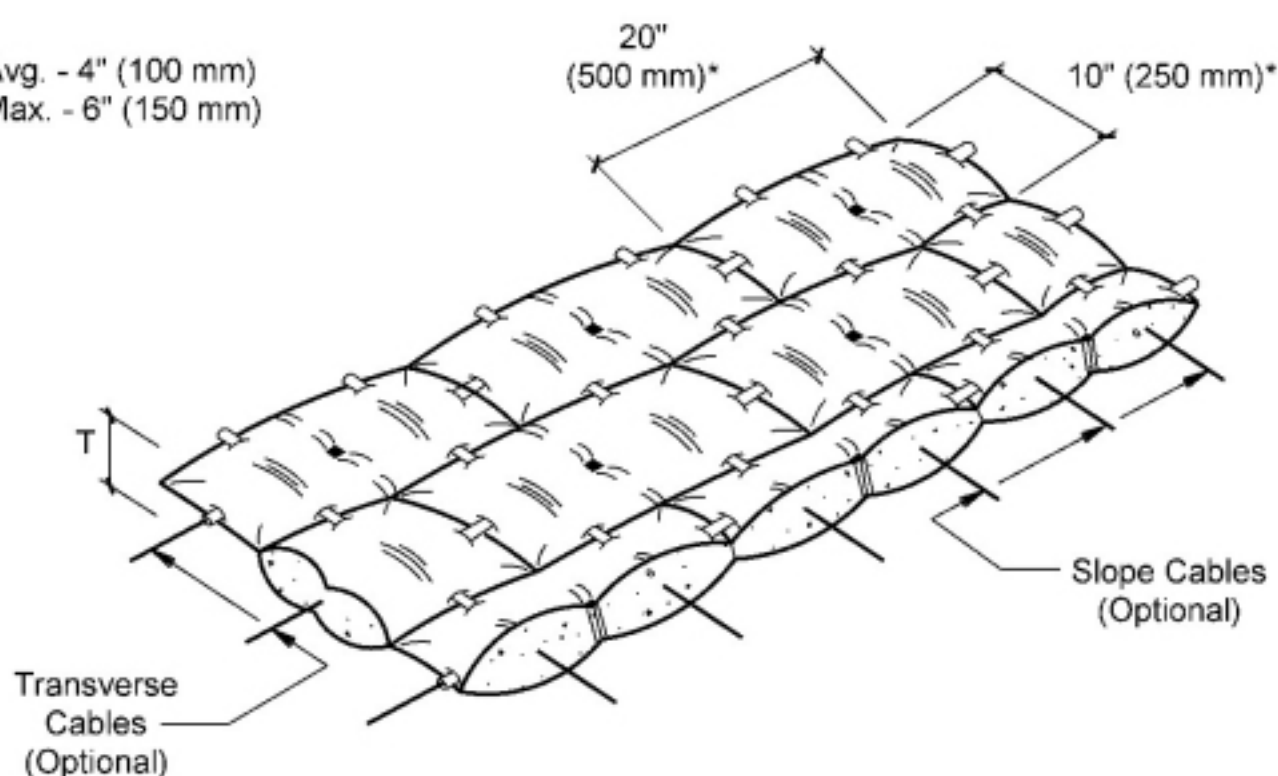


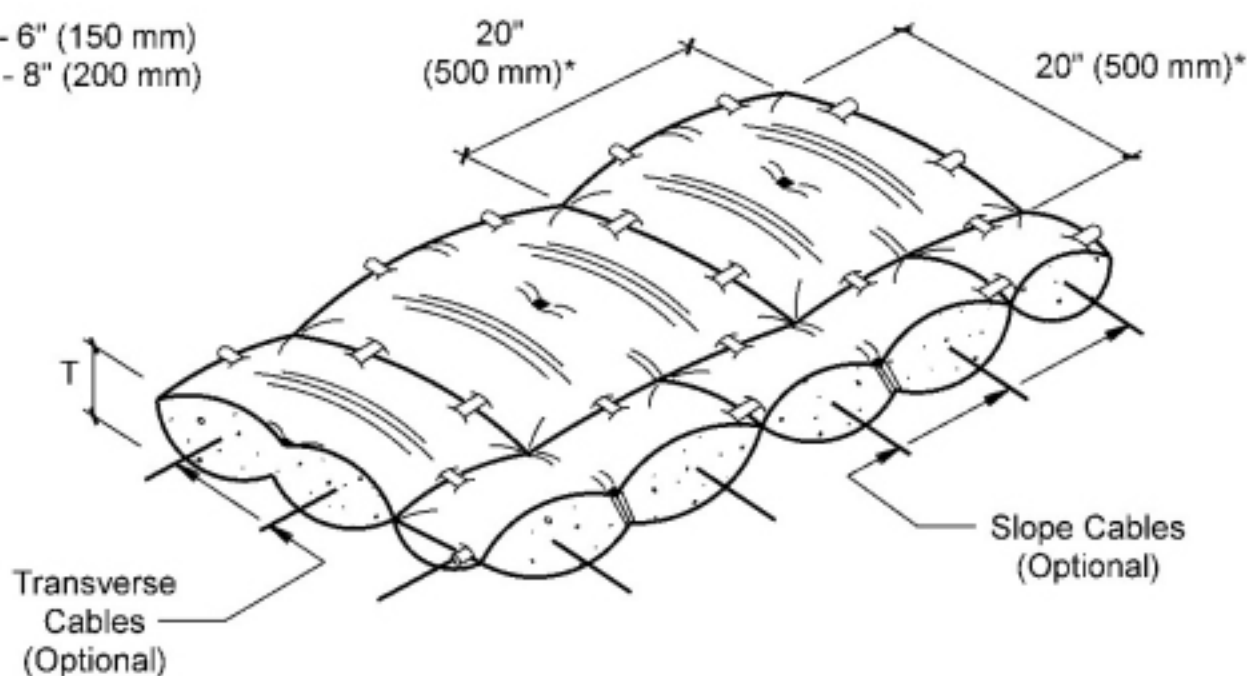
T Avg. - 4" (100 mm)
T Max. - 6" (150 mm)



Mat. wt. - 47 lbs./ft.² (230 kg/m²)**
Wt. of 10"x20" block - 65 lbs. (30 kg)
Mortar req. - 1 yd.³/80 ft.² (0.1 m³/m²)

4" AB

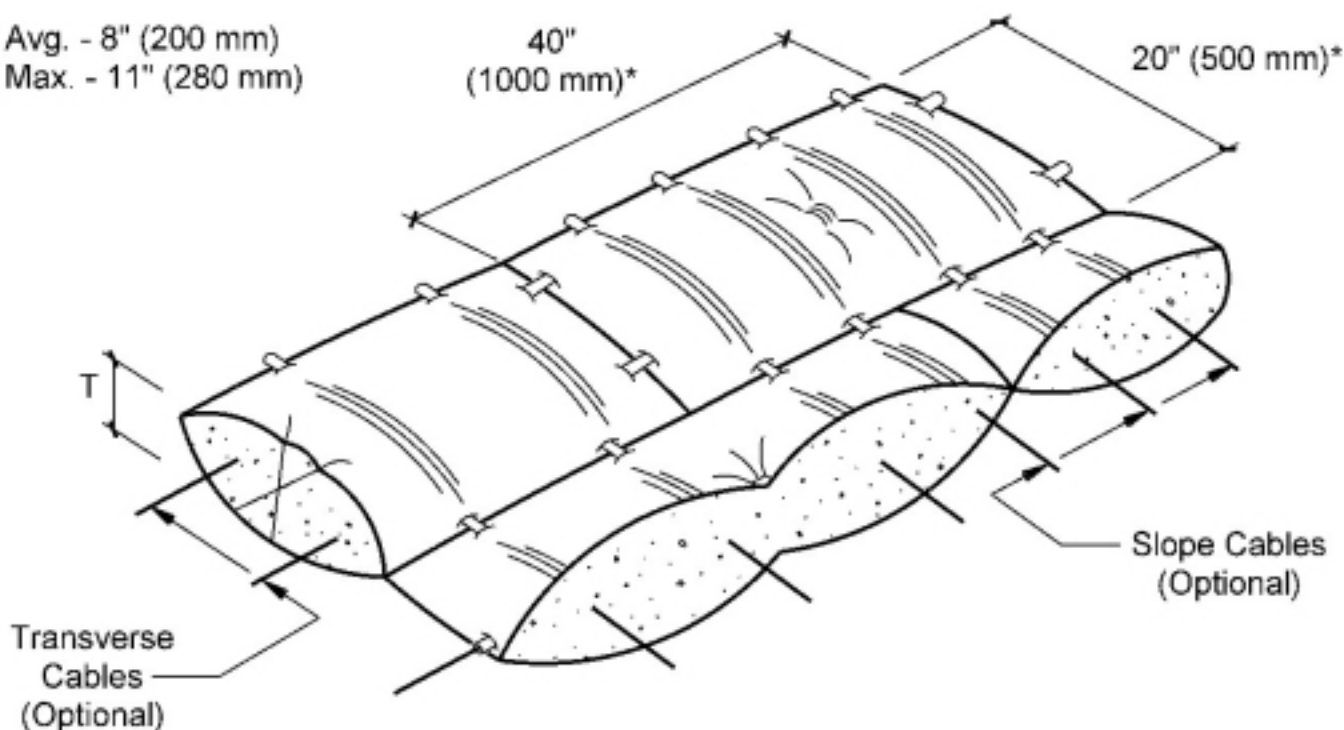
T Avg. - 6" (150 mm)
T Max. - 8" (200 mm)



Mat. wt. - 70 lbs./ft.² (347 kg/m²)**
Wt. of 20"x20" block - 194 lbs. (88 kg)
Mortar req. - 1 yd.³/60 ft.² (0.14 m³/m²)

6" AB

T Avg. - 8" (200 mm)
T Max. - 11" (280 mm)



Mat. wt. - 93 lbs./ft.² (455 kg/m²)**
Wt. of 20"x420" block - 519 lbs. (236 kg)
Mortar req. - 1 yd.³/40 ft.² (0.2 m³/m²)

8" AB